

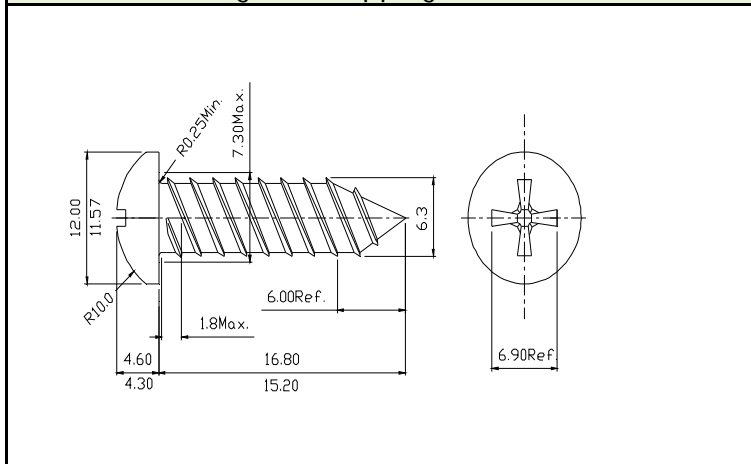


DIMENSIONAL DETAILS

Self Tapping Screws as per TS 17245

HTF Code----->	ST 4.8	ST 6.3
Cross Recess	5.30	6.90
	4.70	
Head Dia.	10.20	12.00
	10.00	11.57
Head Height	2.87	4.60
	2.26	4.30

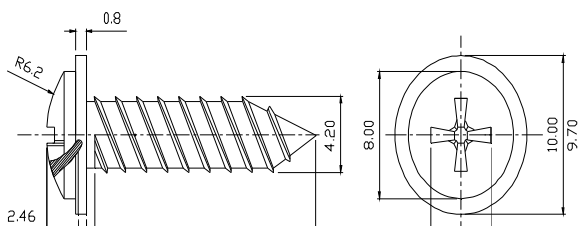
HTF Drwg : Self Tapping Screw M6.3x16

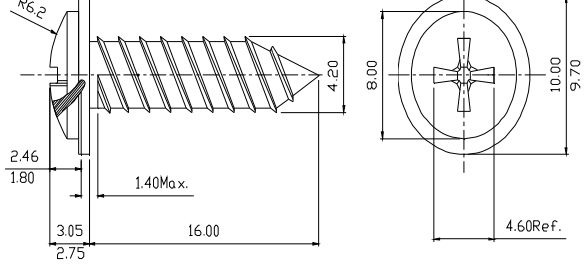


Flange Self Tapping Screws as per TS 17249

HTF Code----->	FST 4.2	FST 4.8
Flange Dia.	9.70 to 10.00	11.60 to 12.00
Flange thickness	0.80	1.00
Cross Recess	4.60	5.00
Head Dia.	8.00	9.30
Head Height with flange	3.05	3.55
	2.75	3.25

HTF Drwg : Flange Self Tapping Screw M6.3x16





CSK Tapping Screws as per TS 17246

HTF Code----->	CST4816	CST4822
Head Dia.	9.30	9.30
	8.90	8.90
Cross Recess	5.20	5.20
Head Height	2.80	2.80

HTF Drwg : Flange Self Tapping Screw M4.8x22

